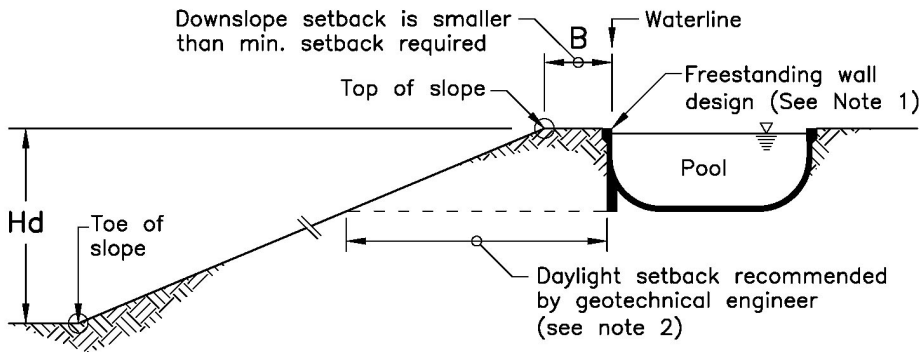


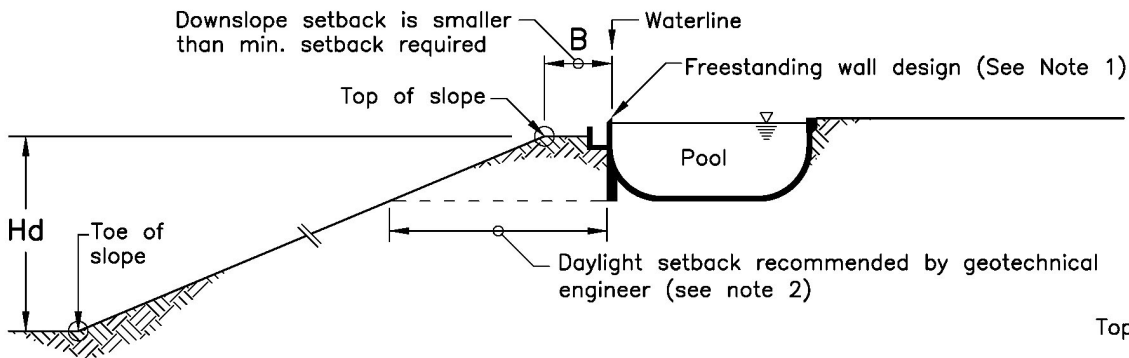
**SLOPE SET BACK REQUIREMENTS  
FOR POOLS**

DOWNSLOPE SETBACK – ALTERNATE DESIGN 1



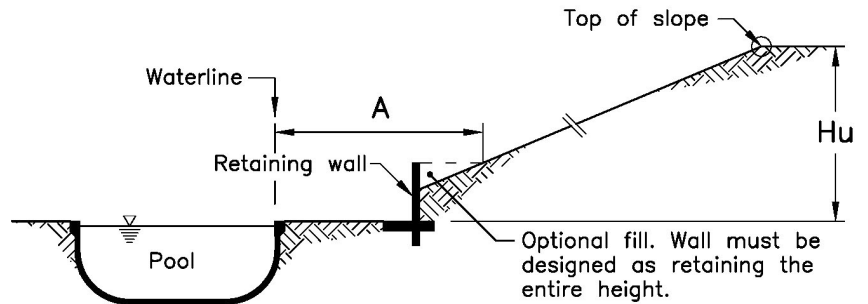
**NOTE 2:**  
**DOWNSLOPE SETBACK**  
If dimension B is less than the required setback, then wet stamped and signed letter from a licensed geotechnical engineer, stating that the design is "safe for its intended use", and indicating the required daylight setback, must be submitted to the Building Division prior to approval of the pre-gunite inspection.

DOWNSLOPE SETBACK – ALTERNATE DESIGN 2 (INFINITY EDGE POOL)



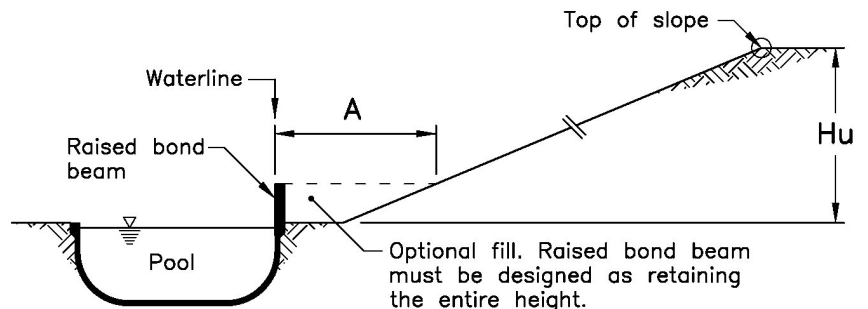
UPSLOPE SETBACK – ALTERNATE DESIGN 1

A retaining wall may be used to accomplish the required upslope setback. Dimension A may be measured as indicated at right.



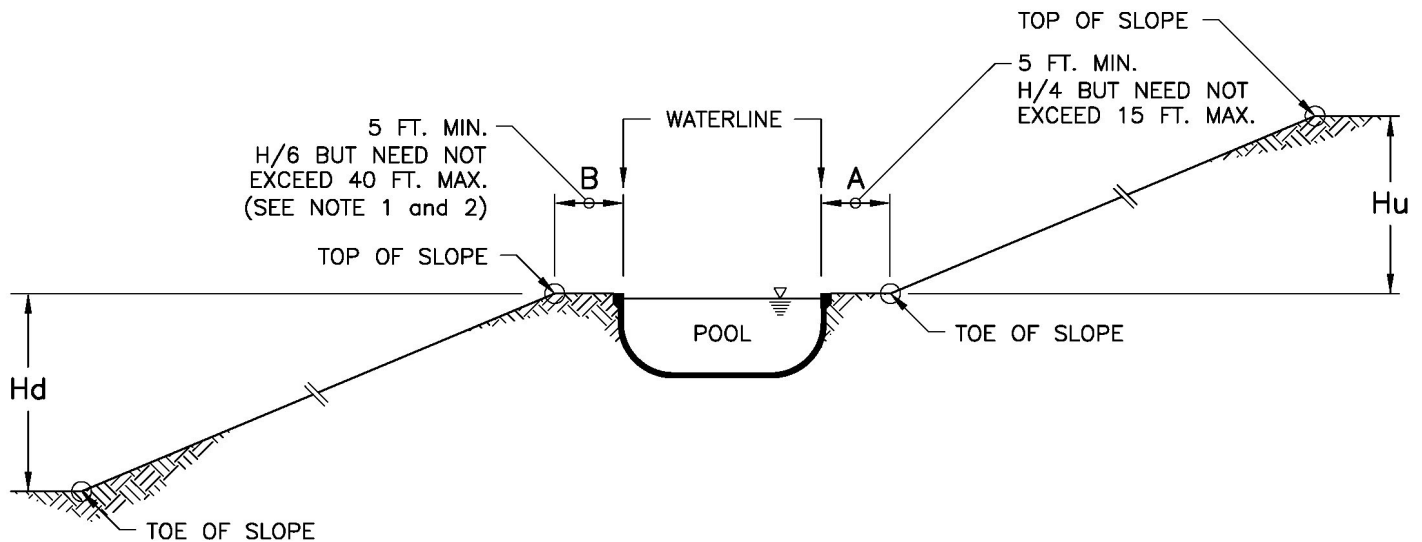
UPSLOPE SETBACK – ALTERNATE DESIGN 2

A raised bond beam may be used to accomplish the required upslope setback. Dimension A may be measured as indicated at right.



For special features like slides, waterfalls, infinity edge, beach entry, grotto, etc., structural details are required to be submitted with pool design.

— continued on back



**NOTE 1:  
DOWNSLOPE SETBACK**

If dimension B is less than 7 feet, then the pool wall adjacent to the downslope shall be capable of supporting water in the pool without soil support (freestanding wall design) and shall be capable of supporting soil pressure with pool empty.

Hd = HEIGHT OF DOWNSLOPE – vertical dimension from top of slope (pool deck elevation) to toe of slope.

Hu = HEIGHT OF UPSLOPE – vertical dimension from toe of slope (pool deck elevation) to top of slope.

A = UPSLOPE SETBACK DIMENSION – horizontal dimension from the waterline to toe of slope.

B = DOWNSLOPE SETBACK DIMENSION – horizontal dimension from the waterline to top of slope.

DOWNSLOPE SETBACK DIMENSION	
H	B
0' – 30'	5'
30' – 240'	H/6
More than 240'	40'

UPSLOPE SETBACK DIMENSION	
H	A
0' – 20'	5'
20' – 60'	H/4
More than 60'	15'

**HOURS:** Monday, Tuesday, Wednesday and Friday,  
7:30 a.m. to 5:30 p.m.  
Thursday 9:00 a.m. to 5:30 p.m.  
Closed Alternate Fridays

**LOCATION:** Ventura City Hall, 501 Poli Street, Room 117

**PHONE:** (805) 677-3941

**MAILING ADDRESS:** P.O. Box 99, Ventura, CA 93002-0099

CITY OF  
**VENTURA**  
BUILDING & SAFETY  
[www.cityofventura.net](http://www.cityofventura.net)